

Description	Specifications
Dimensions	3.66 in x 2.45 in x 0.93 in
IP Rating	IP65
Operating Environment	-20°C to +80°C



### Waterbox101A

Weatherproof Enclosure for use with 101A Series Data Loggers

## Assembly Procedure

Required tools: 3/32" hex driver

To assemble, follow these easy steps:

1. Lay the o-ring into the cover groove (See Figure A).
2. Insert the plug into the mating hole in the enclosure (See Figure B).
3. Place the last ball on the chain into the depression (See Figure C).
4. Insert the lead wire of the sensor through the compression fitting and connect the sensor to the data loggers.
5. Place the data logger in the WaterBox101A.
6. Secure the Lid with (6) screws using the 3/32" Hex Driver.

The Waterbox101A is now ready for use.

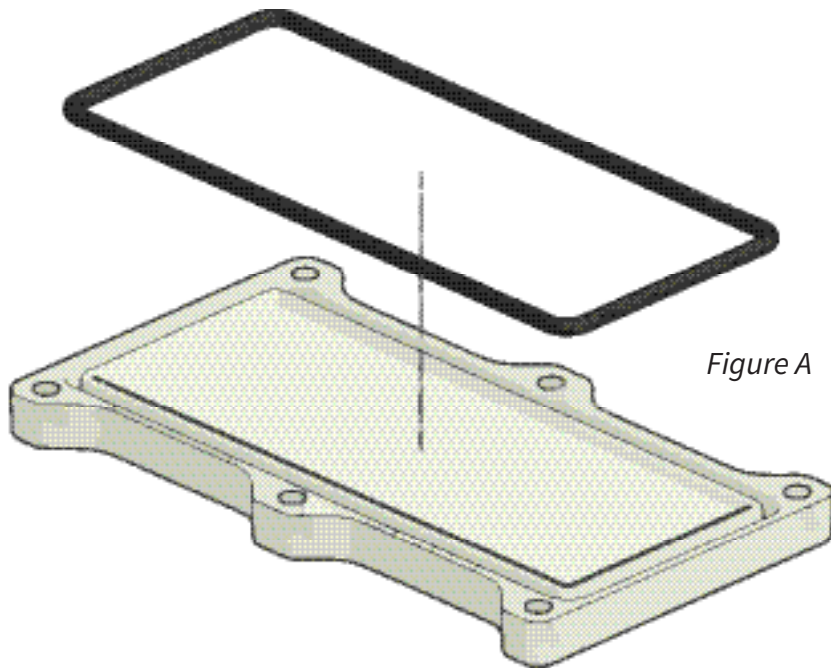


Figure A

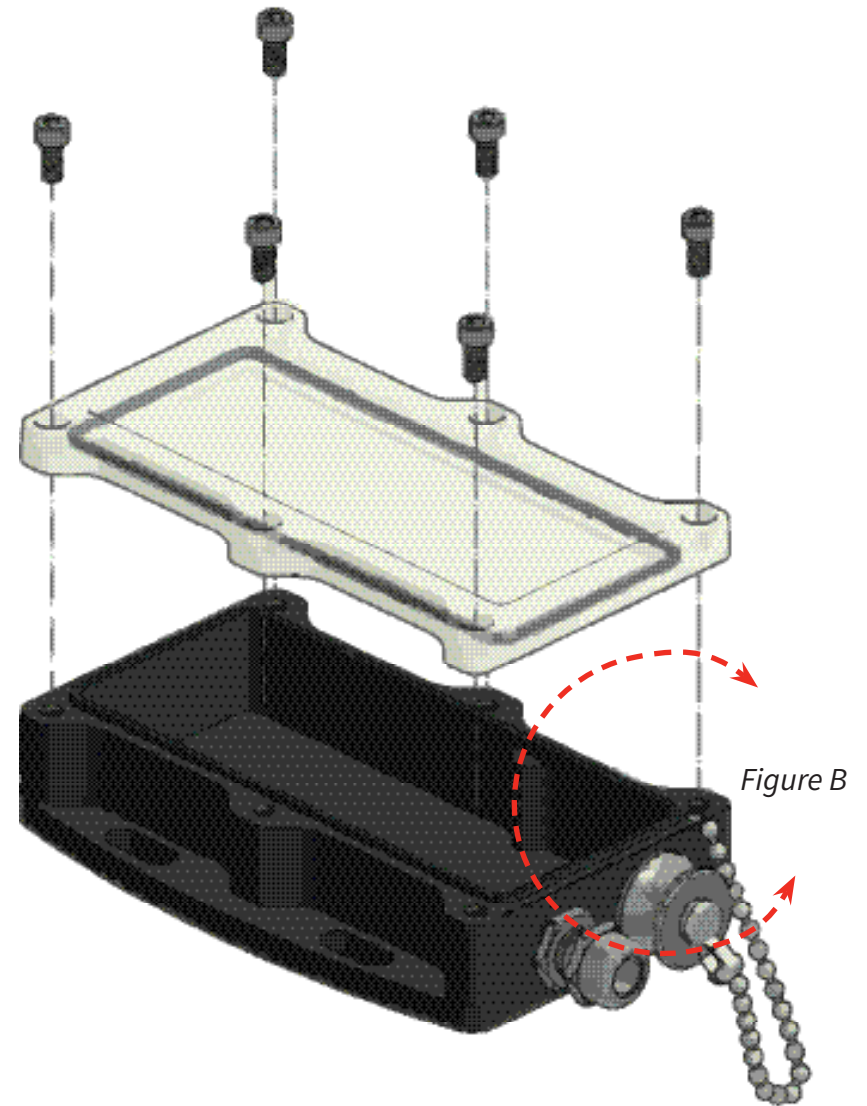


Figure B

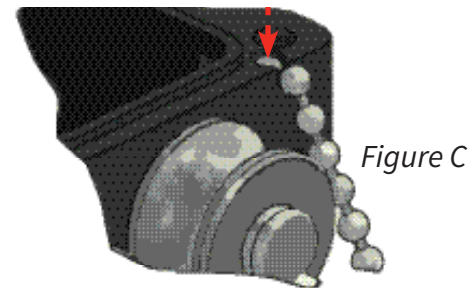


Figure C