

TMAX Wet Seal Kit

Seal kit for use with the ThermoVault Max for wet applications

PRODUCT USER GUIDE

To view the full MadgeTech product line,
visit our website at madgetech.com.



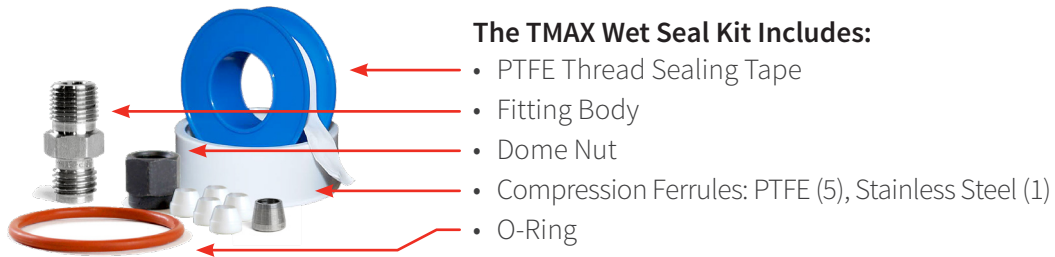
PRODUCT USER GUIDE

Product Overview

The TMAX Wet Seal Kit is used with the ThermoVault Max thermal barrier for wet applications up to 250 °C (482 °F).

Compatible Data Loggers

- HiTemp140-FP
- HiTemp140-PT



Getting Started

Installing the O-Ring: The O-Ring ensures a tight seal which prevents liquid from entering the inside of the barrier. O-Ring maintenance is a key factor when properly caring for the ThermoVault Max. Please refer to the application note “O-Rings 101: Protecting Your Data Logger,” found on the MadgeTech website, for information on how to prevent O-Ring failure.



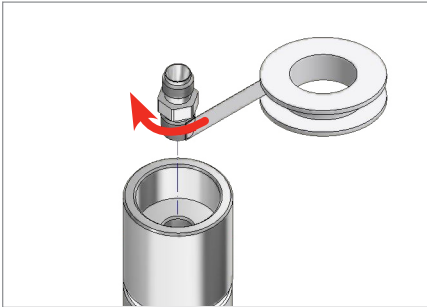
1. Unscrew the endcap of the thermal barrier.



2. Stretch the O-Ring over the endcap so it sits in the groove just beneath the knurled shoulder.

PRODUCT USER GUIDE

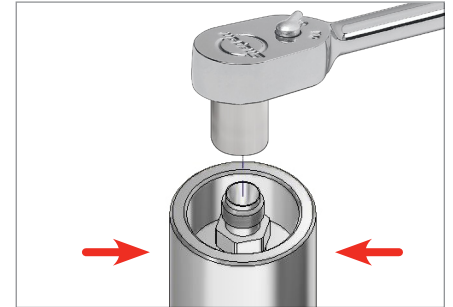
Securing the Compression Fitting: The compression fitting is used with the HiTemp140-FP and HiTemp140-PT data loggers to ensure a water tight seal.



1. Wrap the provided PTFE thread sealing tape around the Fitting Body threads.



2. Screw the Fitting Body into the end of the stopper assembly (finger-tight).

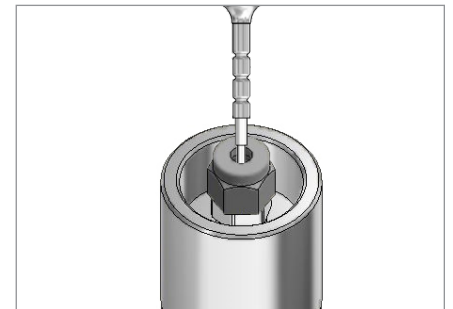


3. Holding the smooth metal end of the stopper, use a 7/16" wrench or socket to tighten the body into the stopper.



4. Insert the Compression Ferrule into the Fitting Body and hold it in place loosely with the Dome Nut.

Compression Ferrule Note: The stainless steel Ferrule provides the most reliable seal, but becomes permanent crimped onto the probe. The PTFE Ferrule will become more deformed with multiple uses and will eventually require replacement. It's benefit is that it allows easy removal and repositioning of the probe.



5. Feed the data logger probe through the Compression Fitting until the base of the probe is tightly against the Dome Nut.



6. Tighten the Dome Nut to secure the data logger in place (finger-tight).



7. Insert the data logger and stopper assembly back into the thermal barrier and screw the endcap of the thermal barrier until the O-Ring is no longer visible.

NEED HELP?



Product Support & Troubleshooting

- Visit our Resource Library online at madgetech.com/resources.

